

Applications

PHT-409

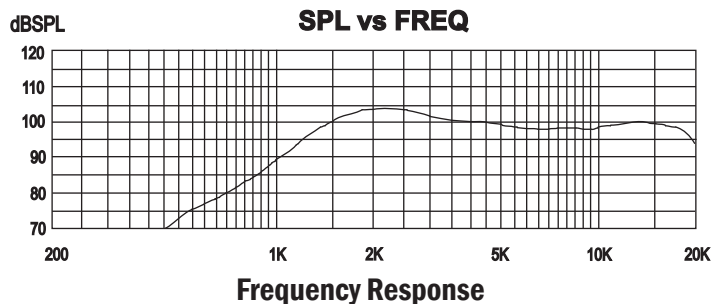
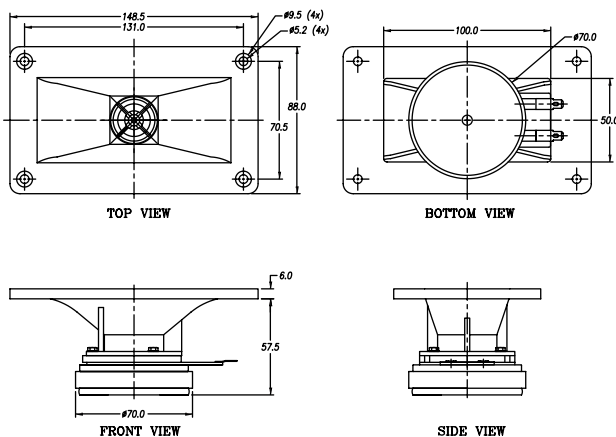
The P Audio PHT-409 is a small format super tweeter designed for use in two way and three way sound reinforcement designs. The PHT-409 offers extended frequency response to beyond 20kHz. The high sensitivity of the integrated horn/driver system make the PHT-409 an excellent choice for high frequency reproduction in foreground and background sound reinforcement systems. The 100dB one watt at one meter rating means the product is ideally suited for two way systems where conventional direct radiator tweeters suffer from a loss of sensitivity. The small format 1 inch (25.4mm) diameter diaphragm offers extended bandwidth and extended high frequency piston range performance. This diameter diaphragm is excellent for super tweeter applications or small format upper midrange and super tweeter response.

The PHT-409 is constructed from a very rugged glass reinforced ABS resin that offers both a high degree of structural support but also excellent mechanical damping for the device.



Specifications

Diaphragm Diameter	1.0 inch (25.4mm)
Nominal Impedance	8 Ohm
Voice Coil DC Resistance	8 Ohm
Power Handling	15 Watt
Sound Pressure Level (1W@1M)	100 dB
Magnet	Ferrite
Diaphragm Material	Polyimide film
Horn Material	A.B.S With Glass Filled Black Polycarbonate
Nominal Coverage Angle (H x V) -6 dB	100° x 40°
Cutoff frequency	2 kHz
Baffle cutout dimension	50mm x 100mm 1.96" x 3.93"
Net Weight	0.50kg (1.10 lbs)
Shipping Weight	0.56kg (1.23 lbs)



19/4 Moo 2 T.Bangkratuk A. Samparn Nakornpathom 73210 Thailand
 Tel: +66-2-441-6600 Auto 30 Lines
 e-mail: info@paudiothailand.com
 Web site: www.paudiothailand.com
 All rights reserved by P.Audio System Co., Ltd. 2007

